

70 Series™ PTAC thermostat submittal sheet

Job Name _____ Location _____ Date _____

Purchaser _____ Installer _____

Submitted To _____ For RNC R&R Commercial



1F75P-21NP
1F75P-21PR

ELECTRICAL RATING

Hardwire: 20 to 30 VAC
NEC Class II, 50/60 Hz

RATED DIFFERENTIALS (@ 6°F / HR)

	Fast	Med	Slow
Heat (Electric):	0.5°F	0.75°F	1.9°F
Cool (AC):	0.9°F	1.2°F	1.7°F
Heat Pump (Heat and Cool):	0.9°F	1.2°F	1.7°F

OPERATING AMBIENT

32°F to +105°F
(0°C to +41°C)

SETPOINT RANGE

60° F to 85° F (15.55°C to 30°C)

TERMINAL LOAD

Staging Models: 1.5 A per terminal
2.5 A per maximum all terminals combined

OPERATING HUMIDITY

90% non-condensing max

ACCESSORIES

Wallplate: F61-2663 (6-3/4" x 4-1/2")
Thermostat Guard: F29-0198

SYSTEM CONFIGURATIONS

Factory setting: 2-stage heat (heat pump/resistance heat),
1-stage cool, 2-speed fan
Alternate setting: 1-stage heat (resistance heat), 1-stage cool,
2-speed fan

SHIPPING TEMPERATURE

-20°F to +150°F
(-29°C to +65°C)

DISPLAY TEMPERATURE RANGE

32°F to +99°F (0°C to 37°C)

THERMOSTAT DIMENSIONS

3-3/4"H x 6"W x 1-1/8"D

TERMINAL DESIGNATIONS

- GL** LOW FAN SPEED RELAY
- Y** COMPRESSOR
- W** HEAT MODE
- R** POWER (24V)
- GH** HIGH SPEED FAN RELAY
- C** COMMON WIRE FOR 24V
- O/B** CHANGEOVER TERMINAL

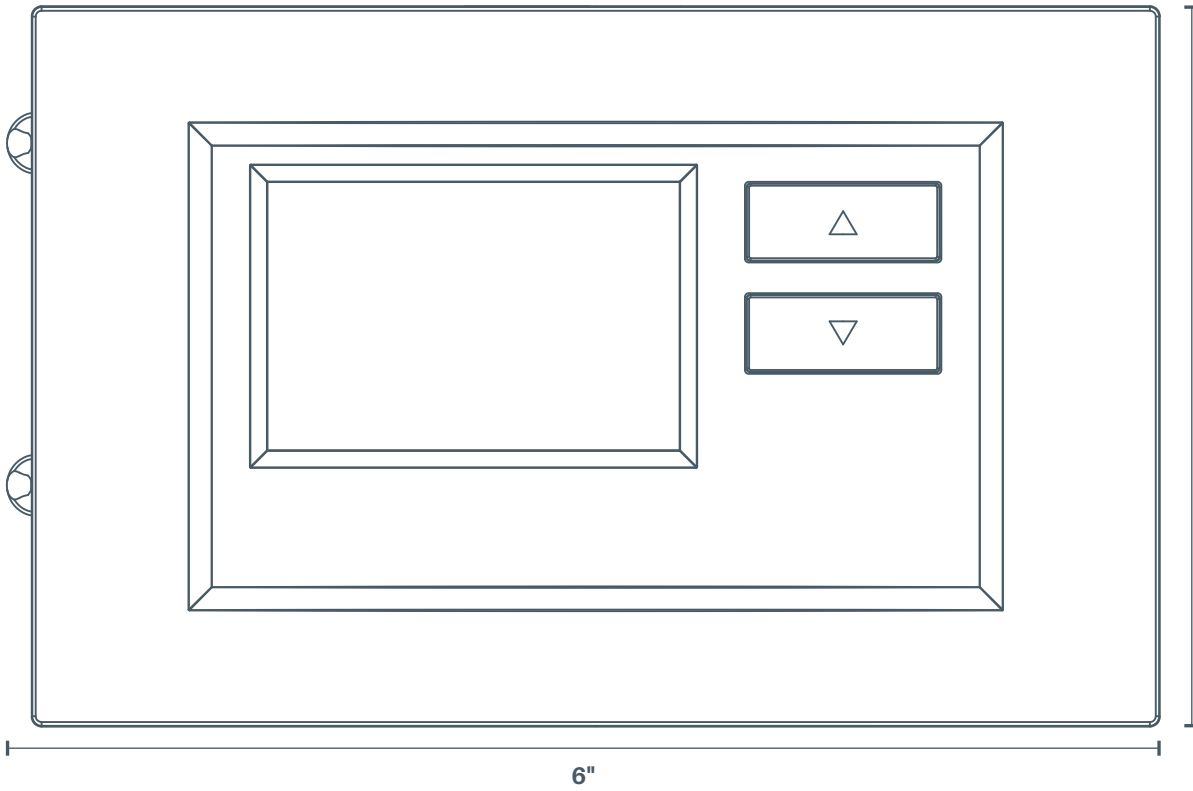
Model	Program Options					Max Stage Heat/Cool		Applications					Power Source		Selectable Performance Features						Comfort & Convenience Features				
	7 Day	5+1+1 Day	5+2 Day	Programmable	Non-Programmable	PTAC	PTHC	Gas/Oil	Electric	3 Wire Zone Valve	Millivolt	Battery	Hardwired (24V)	Auto Changeover	Programmable Fan	EMR/Early Start Program	Temperature Limits	Humidity Control (H) Humid (D) Dehumid	Dual Fuel Control	Remote Sensor	Filter Change Reminder	Auto DST Adjust	Keypad Lockout	Cont. Backlight w/ Common	Permanent Memory
1F75P-21NP					✓	1/1	2/1		✓			✓					✓							✓	✓
1F75P-21PR	✓	✓		✓		1/1	2/1		✓			✓			✓	✓					✓			✓	✓

1F75P-21NP
1F75P-21PR

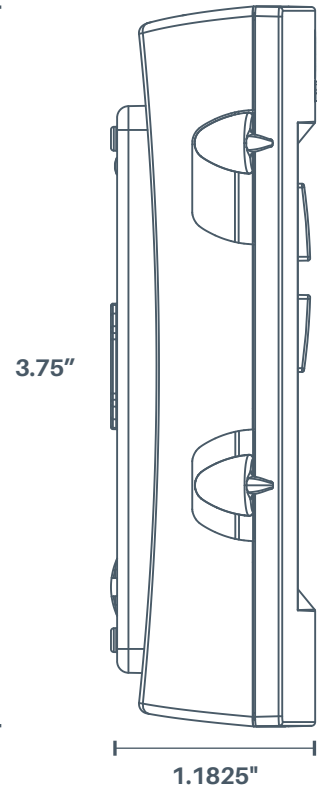
Dimensions

IMAGES ARE TO SCALE

Thermostat front



Thermostat side
(with backplate)



Thermostat backplate

